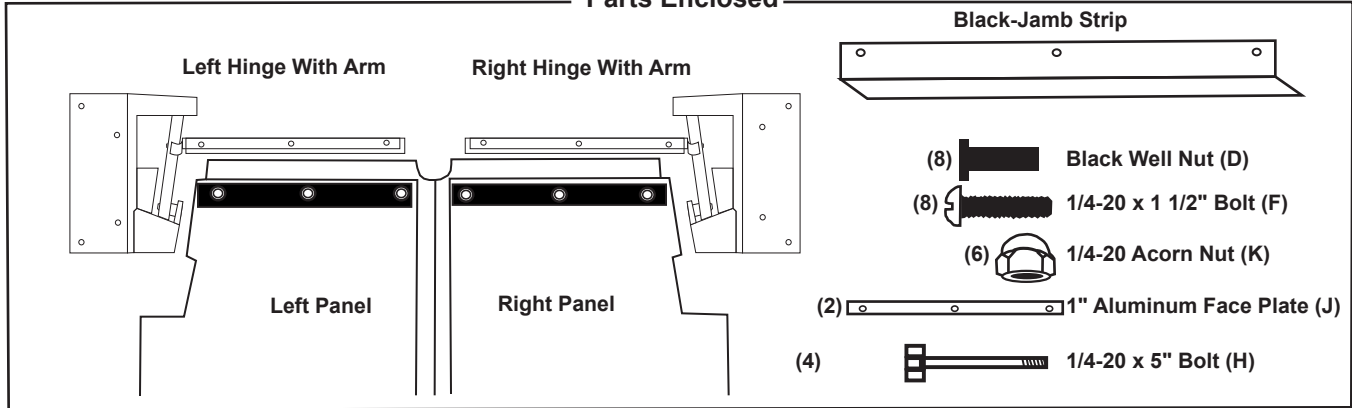


## Tools Needed:

Level, Pencil or Marker, Socket or Crescent Wrench, Phillips Screw Driver, Drill and 9/32" Drill Bit.

## Parts Enclosed

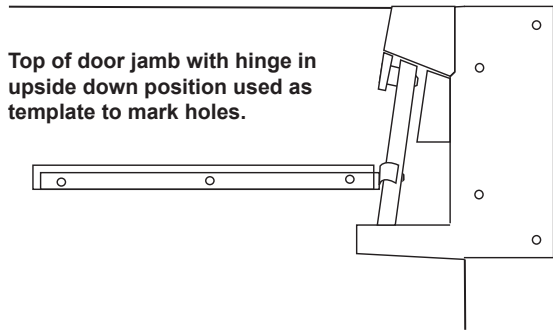


Note: Before starting, check door jamb with level to make sure both sides are plumb. Make corrections if necessary.

## DIAGRAM # 1

Note: USE HINGE UPSIDE DOWN FOR TEMPLATE ONLY TO MARK HOLES. PLACE HINGE IN UPRIGHT POSITION TO INSTALL.

Corner of door jamb (Side View)



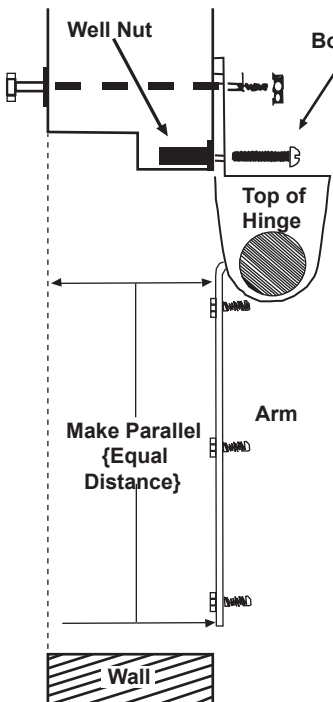
To Install Hinges, Do The Following: See Diagrams # 1

- (A) Place right hinge in an upside down position, into the upper right corner of door jamb.
- (B) Mark all 4 holes and remove hinge.

**Caution: CAREFULLY DRILL HOLES. To avoid hitting electrical wires, pierce only the sheet metal. DO NOT penetrate the styrofoam.**

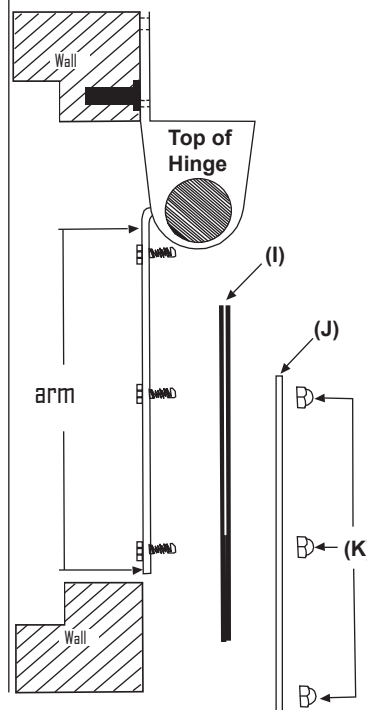
- (C) Drill 2 holes closest to door jamb using a 1/2" drill drill bit. Drill second two holes using #7 drill bit for true hole.
- (D) Insert 2 black well nuts into each 1/2" hole, until they are flush with wall.

## DIAGRAM # 2 A



- (E) Place hinge back up against wall in an upward (correct) position until holes are lined up.
- (F) Insert 1/4-20 x 1 1/2" bolt into each well nut and fingertighten
- (G) Secure all bolts.  
\* Repeat procedures (A) through (F) for other hinge.
- (H) Insert 1/4-20 x 5" bolt with 1/4-20 x 1 1/4 Dia washer from outside then through the hole and hinge. Secure with the 1/4-20 kep nut.

## DIAGRAM # 3



Attach parts to arm. In the following order.

- (I) Poly vinyl door panel.
- (J) 1/8" x 1" aluminum face plate.
- (K) 1/4 - 20 acorn nuts and finger tighten.